

Product Change Notification

Overview: Please be advised that the following is notice of change to the Fire Research recessed lighting fixture model OPA250 with HID (High Intensity Discharge) bulbs.

Products Affected: All 4" deep recess lighting fixtures with, 12 and 24 Volt DC, 70 and 150 Watt HID bulbs.

This includes the following FRC part numbers:

OPA250-H70, OPA250-H15, OPA250-E70, OPA250-E15

Change Description: The above models are being discontinued.

Reason For Change: Improvements in the housing that contain the HID electronics for the Optimum lamphead.

Replacement Product: New models will be available as recessed lighting fixtures with HID bulbs with these major differences:

The cutout in the vehicle wall will be smaller.

The recessed space required behind the lamphead will be less.

The amount the lamphead extends out from the vehicle will be more.

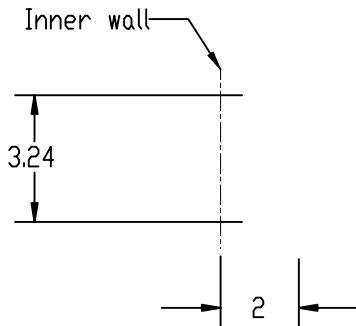
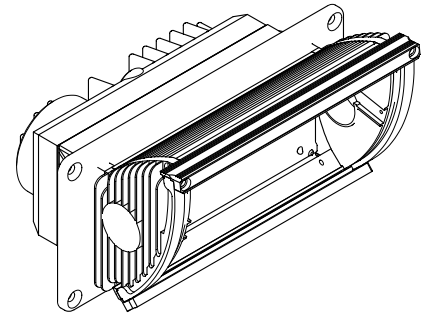
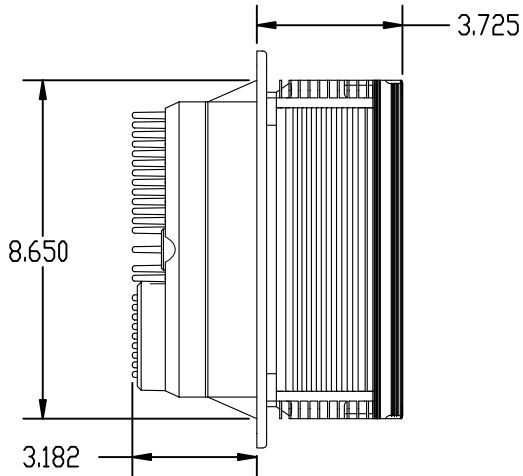
The following are FRC part numbers for the new models:

OPA230-H70, OPA230-H15, OPA230-E70, OPA230-E15

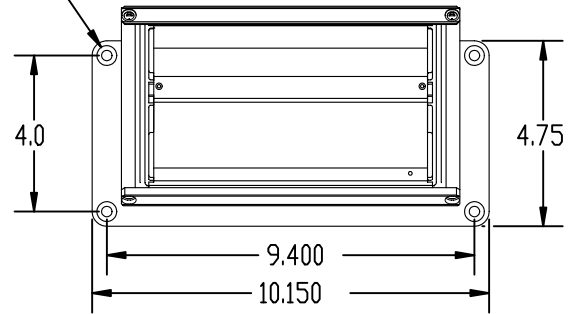
References: The following drawing is available for the new model HID recessed lighting fixture:

DWG. NO. x-op313-13-s02 dated 08-23-05

Response: No response to this notification is required. Requests for additional information should be directed to an FRC sales representative at 1.800.645.0074.



4X ϕ .266 THRU ALL
 \sphericalangle ϕ .507 X 82°



PROPRIETARY AND CONFIDENTIAL THE INFORMATION CONTAINED IN THIS DRAWING IS THE SOLE PROPERTY OF Fire Research Corp. ANY REPRODUCTION IN PART OR AS A WHOLE WITHOUT THE WRITTEN PERMISSION OF Fire Research Corp. IS PROHIBITED.			UNLESS OTHERWISE SPECIFIED:		NAME	DATE	FRC	
			DIMENSIONS ARE IN INCHES TOLERANCES: FRACTIONAL $\pm 1/16$ ANGULAR ± 25 TWO PLACE DECIMAL $\pm .015$ THREE PLACE DECIMAL $\pm .005$		DRAWN	Ed L.		
					CHECKED			TITLE:
					ENG APPR.			
					MFG APPR.			
				Q.A.			SIZE DWG. NO. REV A x-op313-13-s02	
				COMMENTS:				
				MATERIAL			SCALE: 1:4 WEIGHT:	
				FINISH				
		NEXT ASSY USED ON		DO NOT SCALE DRAWING			SHEET 1 OF 3	

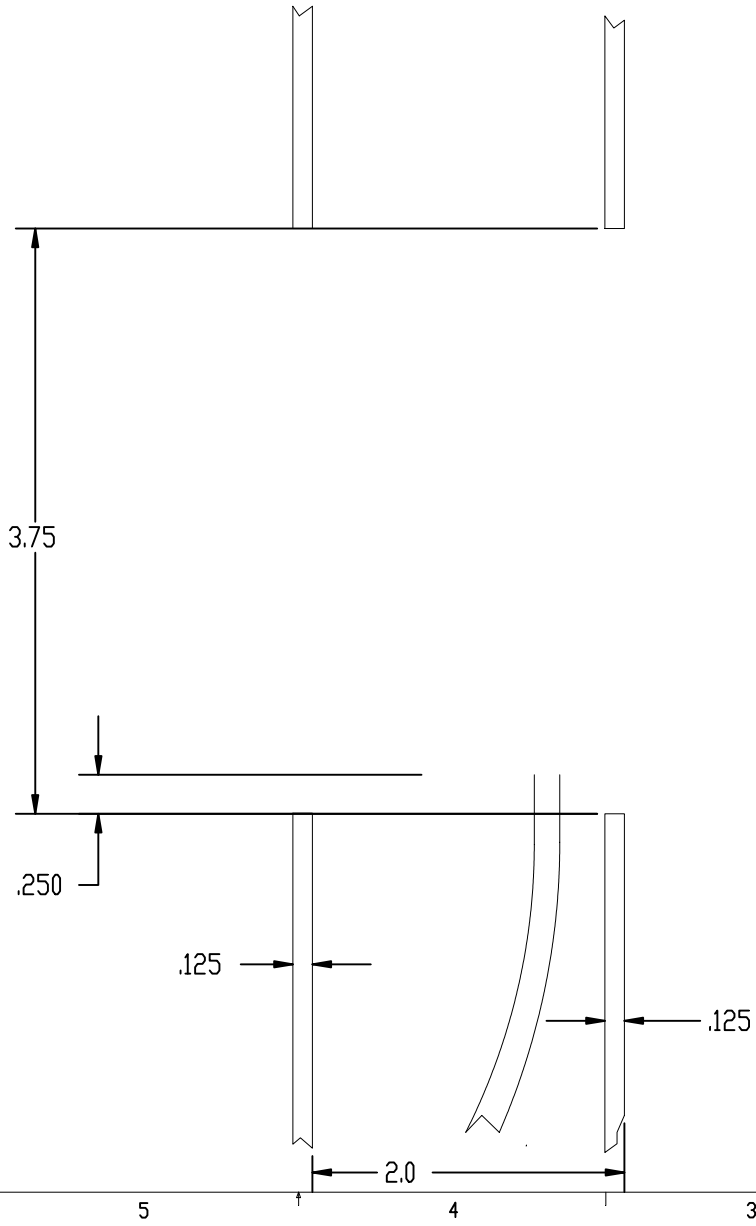
5

4

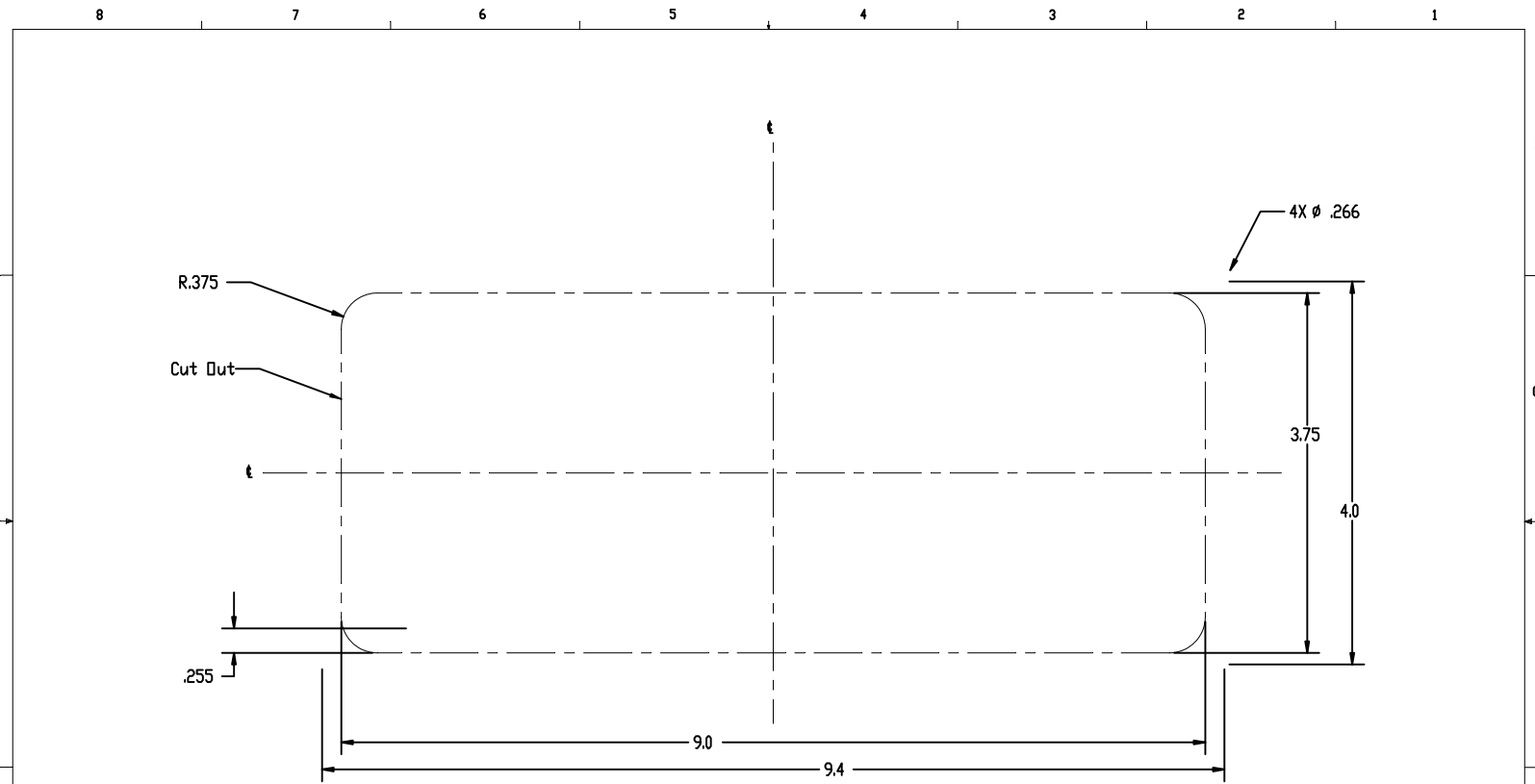
3

2

1



	NAME	DATE	FRC	
DRAWN	Ed L.	08-23-05	TITLE:	
CHECKED				
ENG APPR.				
MFG APPR.				
Q.A.				
COMMENTS:			SIZE DWG. NO.	REV
			A x-op313-13-s02	
SCALE: 1:1		WEIGHT:	SHEET 2 OF 3	



PROPRIETARY AND CONFIDENTIAL THE INFORMATION CONTAINED IN THIS DRAWING IS THE SOLE PROPERTY OF Fire Research Corp. ANY REPRODUCTION IN PART OR AS A WHOLE WITHOUT THE WRITTEN PERMISSION OF Fire Research Corp IS PROHIBITED.		UNLESS OTHERWISE SPECIFIED		DATE	FRC	
		DIMENSIONS ARE IN INCHES TOLERANCES FRACTIONAL ±1/16 ANGULAR ±.25 TWO PLACE DECIMAL ±.005 THREE PLACE DECIMAL ±.005		08-23-05	TITLE:	
NEXT ASSY		USED ON		COMMENTS		REV
APPLICATION		MATERIAL		SCALE: 1:1		WEIGHT:
		FINISH		DO NOT SCALE DRAWING		SHEET 3 OF 3

SIZE: B
 DWG. NO.: x-op313-13-s02
 SCALE: 1:1 WEIGHT: SHEET 3 OF 3