

# Product Change Notification

**Overview:** Please be advised that the following is notice of change to Fire Research products for Optimum OPA series HID lampheads. This change will be completed for all mounting styles by FEB08.

**Products Affected:** All 12V and 24V Optimum OPA series HID lampheads.

OPAxxx-H15

OPAxxx-H70

OPAxxx-E15

OPAxxx-E70

**Change Description:** The aluminum electronics housing used in all OPA series HID lampheads has been changed from a sand casting to a die casting. There are no functional differences. No user serviceable parts are affected.

**Reason For Change:** Part of the ongoing process to improve FRC products. The new die casting offers superior build quality as compared to the older sand casting.

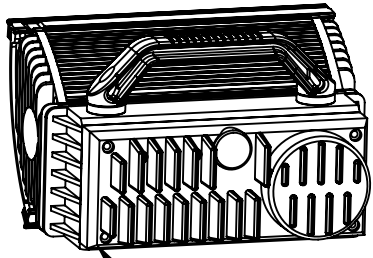
**Replacement Product:** OPA HID lampheads with the new electronics housing have the same form, fit, and function and will be direct replacements. There are no changes to the electrical or mechanical requirements.

\* Note: The new castings have slight differences, shallower in depth and outward appearance, neither of which impact mounting or installation.\*

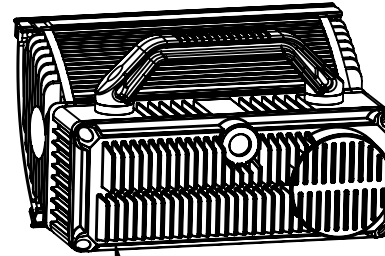
**References:** The following drawing is available to show the difference between the sand casting and die casting versions of the OPA series HID electronics housing:  
DWG. NO. PCN0711-01 dated 16NOV07

\*Note: For drawings of specific mounting styles with the new die casting contact FRC.\*

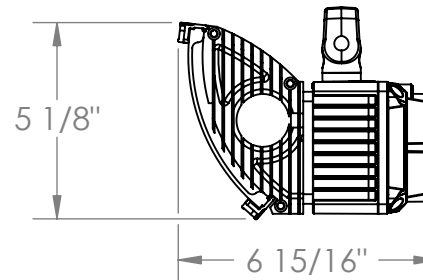
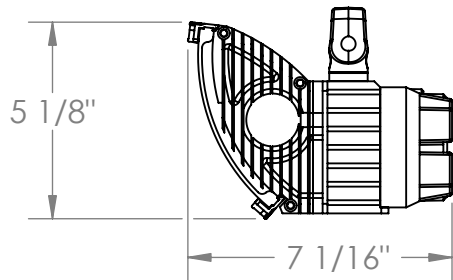
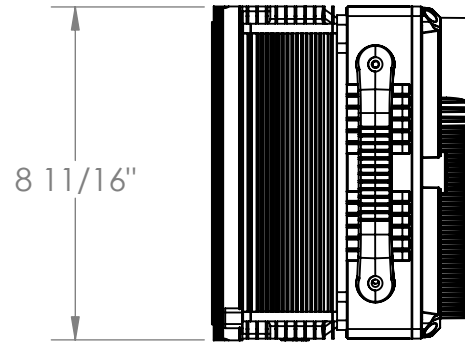
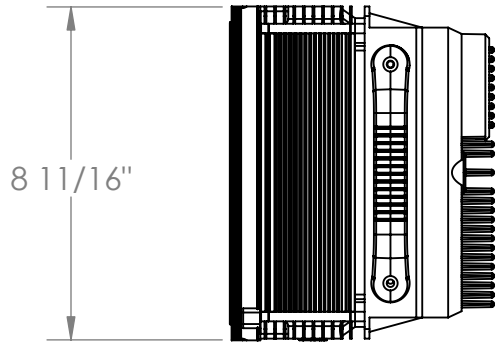
**Response:** No response to this notification is required. Requests for additional information should be directed to an FRC sales representative at 1.800.645.0074.



SANDCASTING



DIECASTING



DIMENSIONS ARE IN INCHES		DRAWN: Paul G	DATE: 11/16/2007	TITLE: OPA HID SANDCASTING TO DIECASTING	
COMMENTS:				SIZE: <b>A</b>	DWG. NO. PCN0711-01
TOLERANCES:		MATERIAL:		SCALE: 1:5 <b>FRC</b> SHEET: 1 OF 1 REV:	
FRACTIONAL ± 1/16		FINISH:			