

# Product Change Notification

**Overview:** Please be advised that the following is notice of change to Fire Research TankVision pressure sensors.

**Products Affected:** Tank pressure sensors used for the TankVision indicator. This includes the following FRC part numbers:  
XE-WLPT3-Sxx (0 – 5 psi), XE-WLPT30-Sxx (0 – 15 psi)

**Change Description:** The above pressure sensors are being discontinued. New PTKM series pressure sensors will be direct replacements in all orders starting on or about JAN13.

**Reason For Change:** Part of the ongoing process to improve FRC products.

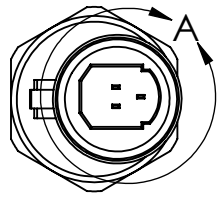
**Replacement Product:** New pressure sensors will be direct replacements. They meet or exceed all electrical and mechanical requirements, use the same 3-Pin Packard connector, and mount in the same size 1/4 inch NPT port.

**Important Note:** The new PTKM series sensors are slightly taller than the PT3 series (taller by 0.75 inch). Refer to the referenced drawing for dimensions of the new sensors.

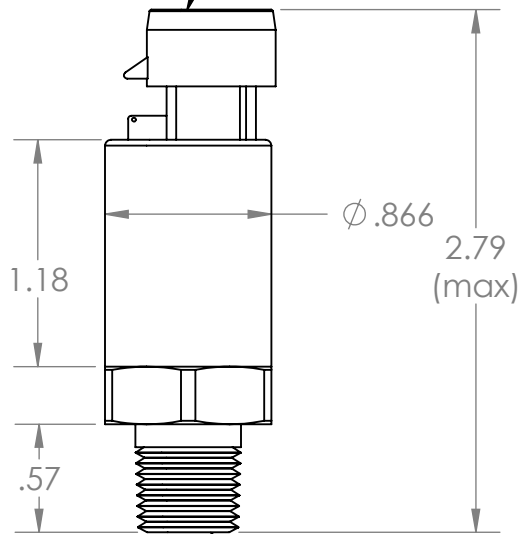
The following are FRC part numbers for the new sensors:  
XE-WLPTKM-S0B (0 – 5 psi), XE-WLPTKM10-S0B (0 – 15 psi)

**References:** The following drawing is available for the new pressure sensors:  
DWG. NO. XE-WLPTKM-S0B dated 10JAN13

**Response:** No response to this notification is required. Requests for additional information should be directed to an FRC sales representative at 1.800.645.0074.

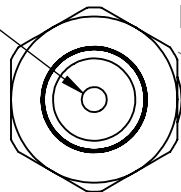


STD CONNECTOR  
END FOR 3 PIN  
PACKARD PLUG

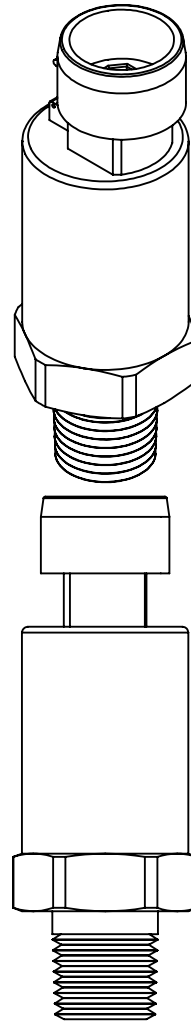


1/4 NPT Male

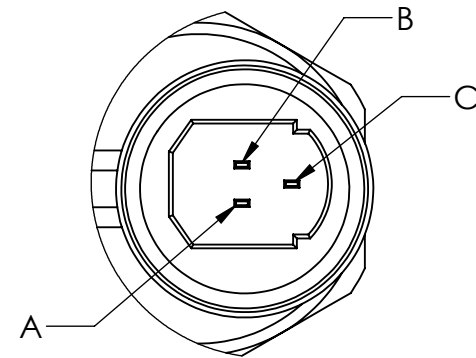
Pressure  
Port



7/8" (.866 acutal)  
HEX ACROSS FLATS



DETAIL A  
SCALE 2 : 1



PIN	WIRE COLOR (DESC)
A	BLACK (GND)
B	RED (+5Vdc)
C	WHITE (SIGNAL)

Parameter	Min	Typ	Max	Unit
Pressure Range	0	---	5	PSI
Output at 5 PSI		4.5		VDC
Output at 0 PSI		0.5		VDC
Operating Temp	-40	---	140	°C
Output	0.5	---	4.5	VDC
EXCIT		5		VDC
Max Tank Height			10	FT
Wetted componets 17-4PH stainless steel housing				

DIMENSIONS ARE IN INCHES		DRAWN: Paul G	DATE: 1-10-13	TITLE: TRANSDUCER 0-5 PSIG SENSOR	
COMMENTS:				SIZE: A	DWG. NO. XE-WLPTKM-SOB
TOLERANCES:		MATERIAL:		NO.	
ANGULAR: MACH ± .1					
2 PLACE DECIMAL ± .015					
3 PLACE DECIMAL ± .005		FINISH:			
SCALE: 1:1		FRC	SHEET: 1 OF 1	REV:	

THIS DRAWING IS PROVIDED ON A CONFIDENTIAL BASIS SUBJECT TO RETURN ON DEMAND BY FIRE RESEARCH CORPORATION, WHICH RETAINS ANY AND ALL RIGHTS ASSOCIATED WITH IT AND THE ARTICLE OR ARTICLES IT REPRESENTS. DISCLOSURE, REPRODUCTION OR ALTERAION OF ANY PART OF THIS DRAWING; OR MANUFACTURE, USE OR SALE OF THE ARTICLE OR ARTICLES REPRESENTED, IS PROHIBITED WITHOUT THE PRIOR WRITTEN AUTHORIZATION OF FIRE RESEARCH CORPORATION.