

REVISION HISTORY				
LTR	ECN NO.	DESCRIPTION	DATE	BY
A	-	DRAWN IN INVENTOR	1/24/13	RDS
B	1119	R03158 WAS GSM34151	4/5/13	RDS
C	1131	ADD R03477 & R03478 LABELS	6/7/13	RDS

REMOVE KNOCKOUTS IN REFLECTOR

SURFACE MOUNT
(-SMC OR -SMW OPTION)

16 USED ON INTERNAL WIRES

FRC

A Safe Fleet Brand
1.800.645.0074
www.fireresearch.com

LIGHTING
SOLUTIONS

KWIKSTRIKE HALOGEN SERIES

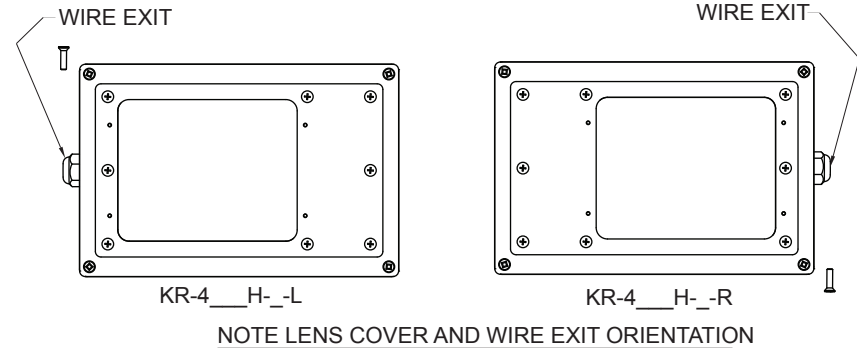
Size B	Scale NTS	Date 1/24/2013	Drawn RDS	Checked
Rev.	Item No.	Sheet	Drawing No.	

Dimensions are in inches unless otherwise noted.


KR-4100H,4150H,4250H 1 OF 2 KR-4100H,4150H,4250H

ITEM	DESCRIPTION	SELLABLE	PART NUMBER	QTY
27	LABEL WARNING TO REDUCE RISK (NOT SHOWN)	YES	R03478	1
26	WET LOCATIONS LABEL (NOT SHOWN)	YES	R03477	1
25	10 X 3/4AB SQ-DRIVE HD SHT MTL SCR SS	YES	R03158	5
24	SURFACE MNT GASKET (OPTION)	YES	KRM002000	VAR
23	SURFACE MNT CASTING- WHITE (OPTION)	YES	KRM001970-W	VAR
23	SURFACE MNT CASTING- CHROME (OPTION)	YES	KRM001970	VAR
22	WIRE COVER (NOT SHOWN)	YES	KRM89094	1 FT
21	#6 RING TERMINAL (NOT SHOWN)	YES	RM215303	1
20	5/16" THIN PANEL BUSHING	YES	GSM20001	1
19	LAMP 250W 130VAC HAL E-11	YES	KRM89073-14	VAR
19	LAMP 150W 130VAC HAL E-11	YES	KRM89073-15	VAR
19	LAMP 100W 130VAC HAL E-11	YES	KRM89073-16	VAR
18	KWIKSTRIKE HAL LAMP SCKT	YES	KRM000009	1
17	KWIKSTRIKE HAL LAMP BRKT	YES	KRM000011	1
16	6" WIRE TIE BLACK	YES	GSM20034	3
15	16-3 SJO STRAIGHT CABLE	YES	KRM89065	10.5 FT
14	3/4" PVC HOLE PLUG	YES	GSM20016	1
13	6-32 X 3/16 PHL THMS SS	YES	RM255040	13
12	10-24 X 1/2 PHL FHMS SS	YES	GSM34053	8
11	KWIKSTRIKE 3 PC HORIZ REFLECTOR	YES	KRM000029	VAR
11	KWIKSTRIKE 3 PC DOWN REFLECTOR	YES	KRM000028	VAR
10	TERM, BUTT CONN, 16-14GA	YES	10226	2
9	O-RING .75 ID X .875 OD X .062 RBR	YES	KRM89089	1
8	STRAIN RELIEF	YES	KRM89044	1
7	KWIKSTRIKE GASKET	YES	KRM000023	1
6	KWIKSTRIKE LENS CLIP	YES	KRM000019	4
5	KWIKSTRIKE LENS FRAME GASKET	YES	KRM000005	1
4	KWIKSTRIKE LENS GASKET	YES	KRM000004	1
3	KWIKSTRIKE LENS	YES	KRM000003	1
2	KWIKSTRIKE LENS FRAME- CHROME	YES	KRM000002-C	VAR
2	KWIKSTRIKE LENS FRAME- WHITE	YES	KRM000002	VAR
1	KWIKSTRIKE HOUSING- CHROME	YES	KRM000001-C	VAR
1	KWIKSTRIKE HOUSING- WHITE	YES	KRM000001	VAR
Parts List				

SMART STRING KEY			
MODEL	LIGHT	HAND	MOUNT
KR-4100H	H (HORIZ)	R (RH)	BLANK (RECESSED)
KR-4150H	D (DN)	L (LH)	C (CHROME SURFACE)
KR-4250H			W (WHITE SURFACE)



REFLECTOR AND BULB INFO							
MODEL	ORIENTATION	REFLECTOR	BULB	WHT HSG	WHT LENS CVR	CHROME HSG	CHROME LENS CVR
KR-4100H-D-L	LEFT DN	KRM000028	KRM89073-16	KRM000001	KRM000002	KRM000001-C	KRM000002-C
KR-4100H-D-R	RIGHT DN	KRM000028	KRM89073-16	KRM000001	KRM000002	KRM000001-C	KRM000002-C
KR-4100H-H-L	LEFT HORIZ	KRM000029	KRM89073-16	KRM000001	KRM000002	KRM000001-C	KRM000002-C
KR-4100H-H-R	RIGHT HORIZ	KRM000029	KRM89073-16	KRM000001	KRM000002	KRM000001-C	KRM000002-C
KR-4150H-D-L	LEFT DN	KRM000028	KRM89073-15	KRM000001	KRM000002	KRM000001-C	KRM000002-C
KR-4150H-D-R	RIGHT DN	KRM000028	KRM89073-15	KRM000001	KRM000002	KRM000001-C	KRM000002-C
KR-4150H-H-L	LEFT HORIZ	KRM000029	KRM89073-15	KRM000001	KRM000002	KRM000001-C	KRM000002-C
KR-4150H-H-R	RIGHT HORIZ	KRM000029	KRM89073-15	KRM000001	KRM000002	KRM000001-C	KRM000002-C
KR-4250H-D-L	LEFT DN	KRM000028	KRM89073-14	KRM000001	KRM000002	KRM000001-C	KRM000002-C
KR-4250H-D-R	RIGHT DN	KRM000028	KRM89073-14	KRM000001	KRM000002	KRM000001-C	KRM000002-C
KR-4250H-H-L	LEFT HORIZ	KRM000029	KRM89073-14	KRM000001	KRM000002	KRM000001-C	KRM000002-C
KR-4250H-H-R	RIGHT HORIZ	KRM000029	KRM89073-14	KRM000001	KRM000002	KRM000001-C	KRM000002-C



A Safe Fleet Brand
1.800.645.0074
www.firereseach.com

LIGHTING SOLUTIONS

KWIKSTRIKE HALOGEN SERIES

Size B	Scale NTS	Date 1/24/2013	Drawn RDS	Checked
Rev.	Item No.	Sheet	Drawing No.	
	KR-4100H,4150H,4250H	2 OF 2	KR-4100H,4150H,4250H	

Dimensions are in inches unless otherwise noted.