

**LIGHTING
PRODUCTS**

FRC

A Safe Fleet Brand
26 Southern Blvd., Nesconset, NY 11767
TEL 631.724.8888 FAX 631.360.9727
TOLL FREE 1.800.645.0074
www.fireresearch.com

MAGNAFIRE
EVOLUTION
SPECTRA
COLLINS

MODEL SB300, SB400 THRU BODY MOUNT TELESCOPIC POLE

INSTALLATION INSTRUCTIONS

Refer to the lamphead specific Safety Summary and Maintenance sheet before installing or performing maintenance.

When positioning a telescopic pole, ensure that the lamphead clears all obstructions and the twist lock is accessible.

Install SB300 Thru Body Pull-Up Model

Note: The wire strain relief may need to be removed for the outer pole to fit through the 2" cutout.

1. Place the pole into position to check for fit and freedom of operation.
2. Measure and mark the footprint of the mounting flange. Thru body mounts require a 2" diameter center hole.
3. Cut out center hole.
4. Mark mounting screw locations. The fixture can be used as a template.
5. Drill mounting screw holes. The fixture holes are clearance for 5/16" screws.
6. Secure the fixture with 5/16-18 SS hardware.
7. Ensure that approved strain relief for the wiring is installed.

Install SB400 Thru Body Push-Up Model

Note: The locking collar, rubber handle and wire strain relief must be removed for the outer pole to fit through the 2" cutout.

1. Place the pole into position to check for fit and freedom of operation.
2. Measure and mark the mounting screw locations. The mounting plate can be used as a template.
3. Drill mounting screw holes. The fixture holes are clearance for 5/16" screws.
4. Secure the fixture with 5/16-18 SS hardware.
5. Ensure that approved strain relief for the wiring is installed.

Wiring

12/24 VDC

Connect the BLACK wire to GROUND.

Connect the RED (or WHITE) wire to POWER.

120/240 VAC

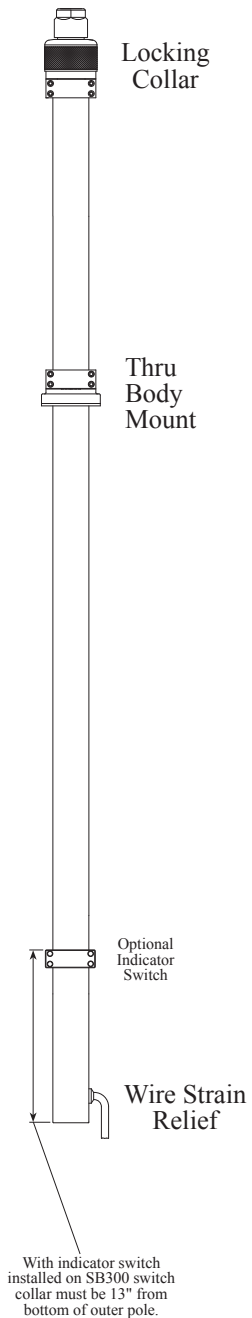
Connect the GREEN wire to chassis GROUND.

Connect the WHITE wire to NEUTRAL (LINE 1 for 240V).

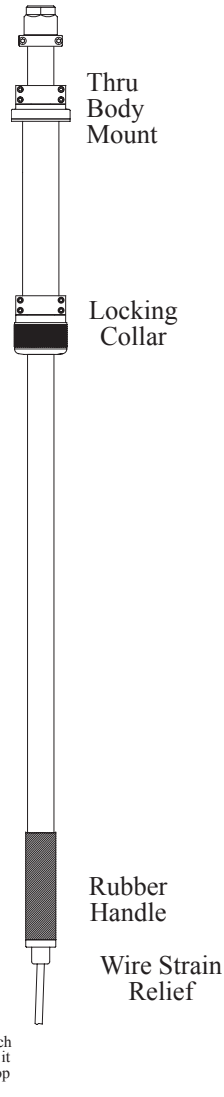
Connect the BLACK wire to POWER (LINE 2 for 240V).



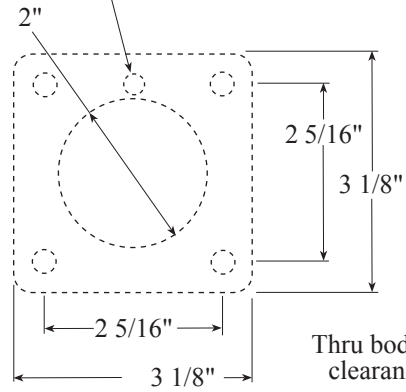
**SB300
Thru Body
Pull-UP
Mount**



**SB400
Thru Body
Push-up
Mount**



Optional Indicator Switch Only
1/4" Wire Hole



Thru body mounting holes are clearance for 5/16" screws.

Cutout is centered and has a 2" diameter.

Hardware Recommendation
For SB300/400 Models:
5/16-18 SS

Notes:

- The SB300 wire strain relief may need to be removed for the outer pole to fit through the 2" cutout.
- The SB400 locking collar, rubber handle, and wire strain relief must be removed for the outer pole to fit through the 2" cutout.