

MODEL SB200, SB500, SB1100 SIDE MOUNT TELESCOPIC POLE

INSTALLATION INSTRUCTIONS

Refer to the lamphead specific Safety Summary and Maintenance sheet before installing or performing maintenance.

When positioning a telescopic pole ensure that the lamphead clears all obstructions and the twist lock is accessible.

The side mount brackets are adjustable along the outer pole to allow for mounting location flexibility. The exception to this is when the optional pole-up indicator switch is installed.

Install Side Mount Models

Refer to drawings on page 2.

1. Place the pole in position to check for fit and freedom of operation. Mark the vertical center line for the pole.
2. Measure and mark mounting screw locations. If the optional mounting plate is used use it as a template.
3. Drill mounting screw, alignment pin, and wire holes as required. (Refer to drawing on page 2.) The brackets use a 3/8-16 screw, the alignment pins require 3/16" diameter holes, the indicator wire hole is 1/4". The optional mounting plate holes are clearance for 5/16" screws.

Note: If optional indicator switch is installed, take notice of the bracket location on the pole and switch orientation.

4. Remove the brackets from the outer pole and install at mounting location. Ensure the O-ring is seated on the standoff and the four spring pins align correctly. Secure in place with the provided flat head 3/8-16 screw. (If the optional mounting plate is used, secure the plate with 5/16-18 SS hardware.)
5. Position the pole on the brackets and secure with the front collars and screws.
6. Ensure that approved strain relief for the wiring is installed.

Wiring

12/24 VDC

Connect the BLACK wire to GROUND.

Connect the RED (or WHITE) wire to POWER.

120/240 VAC

Connect the GREEN wire to chassis GROUND.

Connect the WHITE wire to NEUTRAL (LINE 1 for 240V).

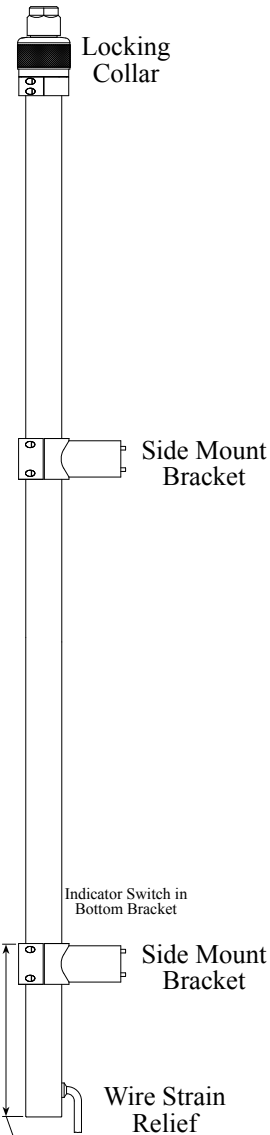
Connect the BLACK wire to POWER (LINE 2 for 240V).



Notes:

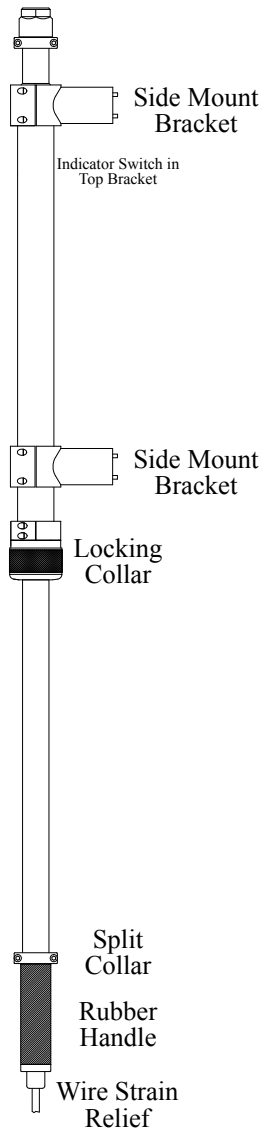
- The side mount brackets are adjustable along the outer pole except when the optional pole-up indicator switch is installed.
- When the optional indicator switch is installed ensure that the 1/4" wire holes are aligned, the bracket is in the correct position on the pole for the pole magnet to activate the switch, and the switch is mounted facing up.

SB200 Side Mount Pull-Up



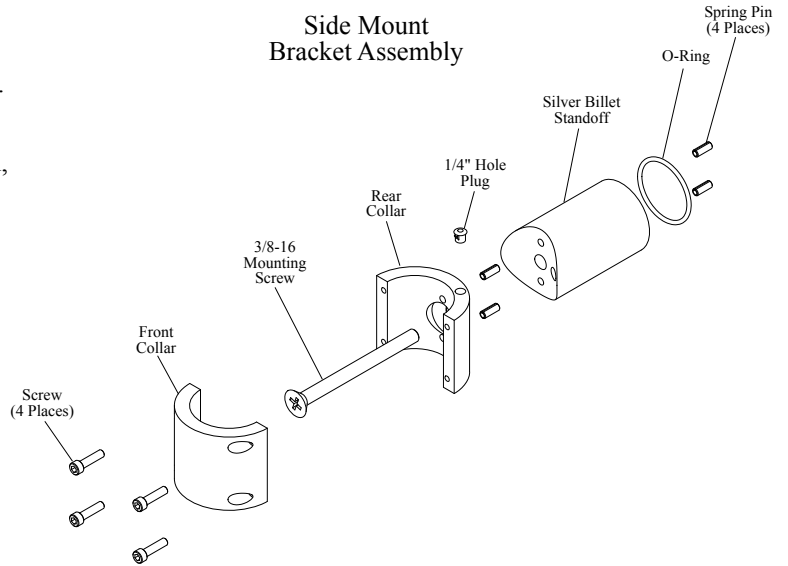
With indicator switch installed on SB200 bracket must be 13" from bottom of outer pole.

SB500, SB1100 Side Mount Push-Up

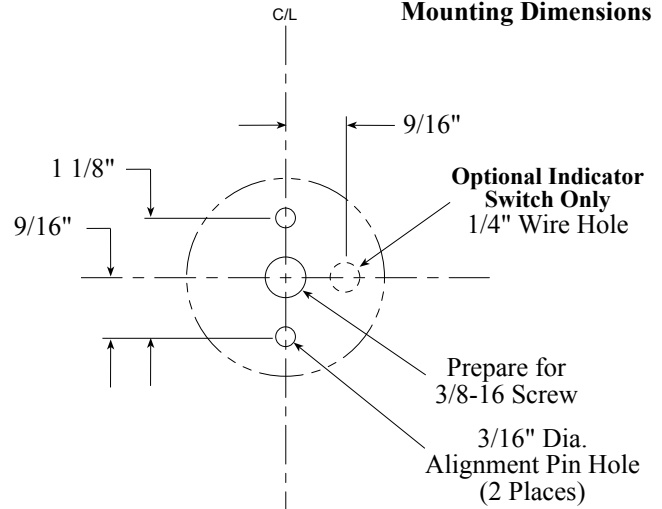


With indicator switch installed on SB500 bracket must be at the top of outer pole.

Side Mount Bracket Assembly



Side Mount Bracket Mounting Dimensions



Optional Mounting Plate Dimensions

Plate mounting holes are clearance for 5/16" screws.

