

MODEL SB600, SB600W, KR-1300 FIXED MOUNT

INSTALLATION INSTRUCTIONS

Refer to the lamphead specific Safety Summary and Maintenance sheet before installing or performing maintenance.

When positioning a fixed mount fixture, ensure that the lamphead clears all obstructions.

Install SB600, KR-1300 Fixed Top Mount Models

1. Place the light in position to check for fit and freedom of operation.
2. Measure and mark the mounting location. Fixed top mounts require a 2" diameter center hole.
3. Cut out center hole.
4. Mark mounting screw locations. The fixture can be used as a template.
5. Drill mounting screw holes. The fixture holes are clearance for 5/16" screws.
6. Secure the fixture with 5/16-18 SS hardware. Install a backing plate if necessary for a sturdy mounting.
7. Ensure that approved strain relief for the wiring is installed.

Install SB600W Side Mount Models

1. Place the light in position to check for fit and freedom of operation.
2. Measure and mark the mounting screw locations. The mounting plate can be used as a template.
3. Drill mounting screw holes. The fixture holes are clearance for 5/16" screws.
4. Secure the fixture with 5/16-18 SS hardware. Install a backing plate if necessary for a sturdy mounting.
5. Ensure that approved strain relief for the wiring is installed.

Wiring

12/24 VDC

Connect the BLACK wire to GROUND.

Connect the RED (or WHITE) wire to POWER.

120/240 VAC

Connect the GREEN wire to chassis GROUND.

Connect the WHITE wire to NEUTRAL (LINE 1 for 240V).

Connect the BLACK wire to POWER (LINE 2 for 240V).



Magnafire
KR-1300



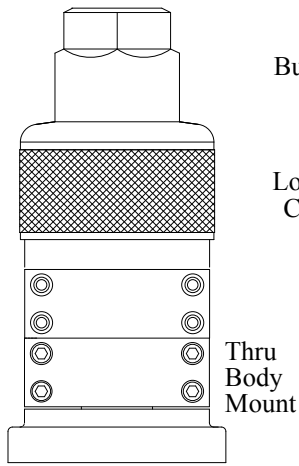
Magnafire
KR-SB-600



Spectra
SPASB600W

SB600 Fixed Top Mount

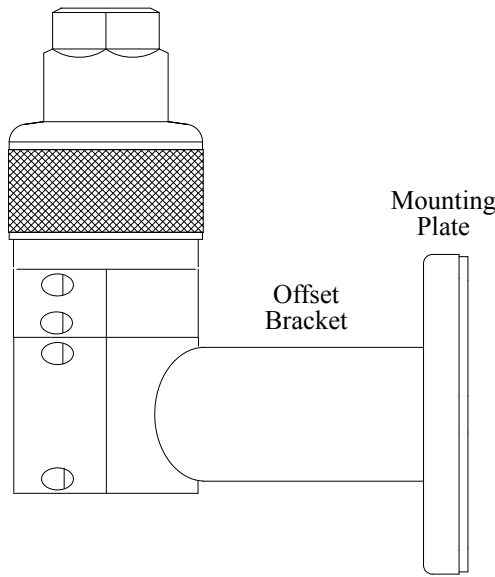
SB600W Fixed Side Mount



Bushing

Locking Collar

Thru Body Mount

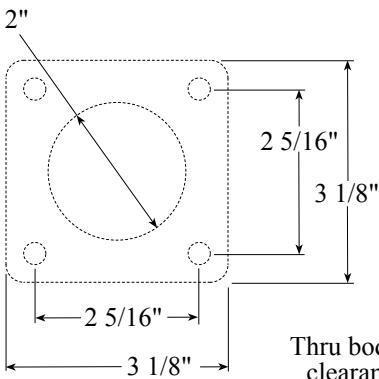
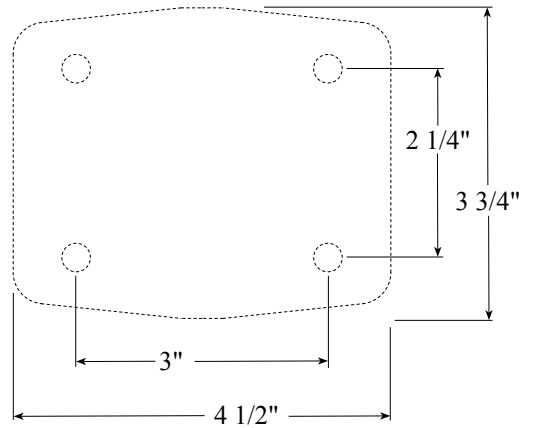


Mounting Plate

Offset Bracket

Offset Collar

Plate mounting holes are clearance for 5/16" screws.

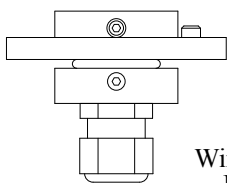


Thru body mounting holes are clearance for 5/16" screws.

Cutout is centered and has a 2" diameter.

Hardware Recommendation
For SB600 Models:
5/16-18 SS

KR-1300 Fixed Top Mount



Base plate has the same mounting dimensions as the KR600 above.

Wire Strain Relief

Hardware Recommendation
For KR-1300:
5/16-18 SS