

## LIGHTING PRODUCTS



# MODELS 530, 540, 542 SIDE MOUNT TELESCOPIC POLE

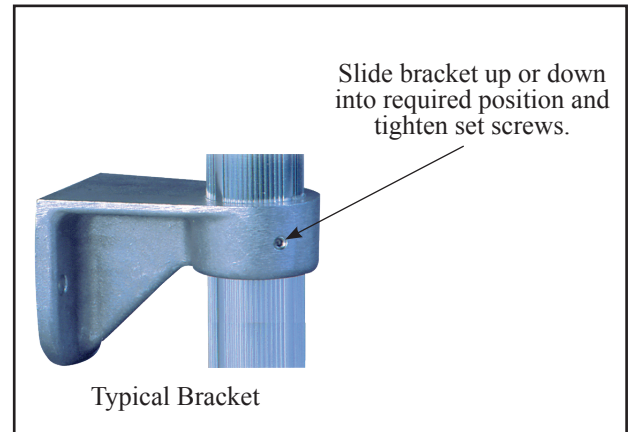
## INSTALLATION INSTRUCTIONS

Refer to the General Lighting manual or lamphead specific sheets for safety and maintenance.

### Install Side Mount Telescopic Pole Models 530, 540, 542

When positioning a telescopic pole ensure that the lamphead will clear all obstructions and the twist lock will be accessible.

1. Place the light in position to check for fit and freedom of operation.
2. Slide the brackets up or down into required position.  
The set screws may need to be loosened.
3. Tighten set screws.
4. Mark the footprint of the mounting bracket(s).
5. Drill mounting holes.
6. Secure the mounting bracket(s). Use 5/16-18 SS hardware.  
Install a backing plate if necessary for a sturdy mounting.
7. Ensure that approved strain relief for the wiring is installed.



### Wiring

#### 12/24 VDC

Connect the BLACK wire to GROUND.

Connect the RED wire to POWER.

#### 120/240 VAC

Connect the GREEN wire to chassis GROUND.

Connect the WHITE wire to RETURN.

Connect the BLACK wire to POWER.

#### SPECTRA Max-S only

#### 12/24 V DC

{ Connect the RED wire to POWER.	} SPOT
{ Connect the BLACK wire to GROUND.	

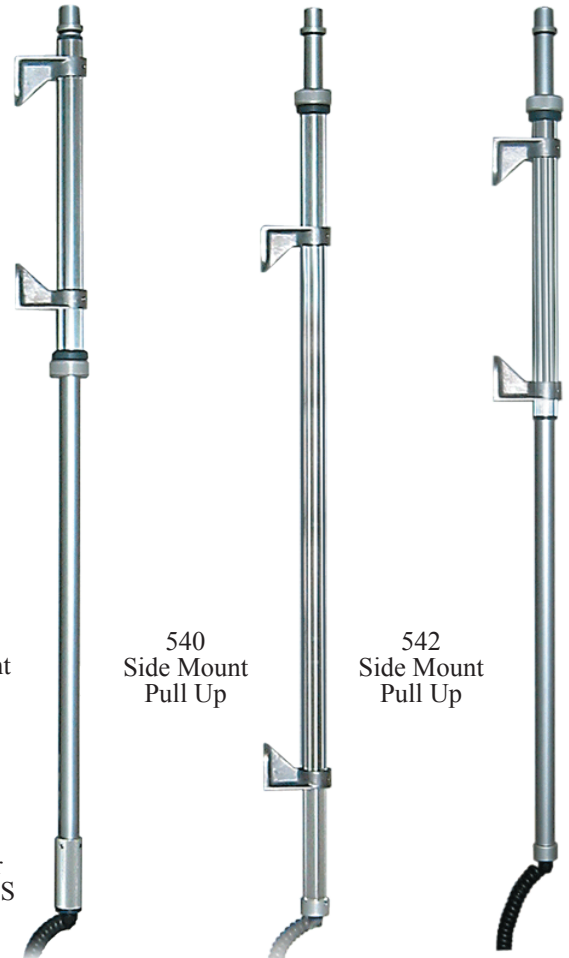
{ Connect the ORANGE wire to POWER.	} FLOOD
{ Connect the BLACK wire to GROUND.	

#### 120/240 V AC

Connect the GREEN wire to chassis GROUND.

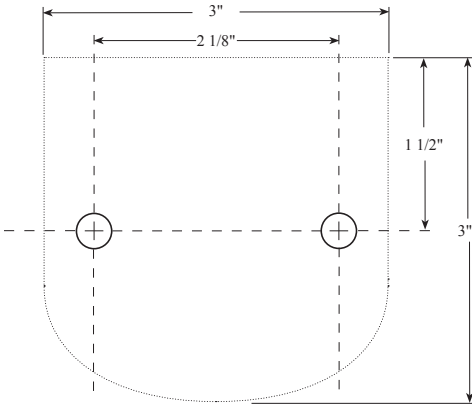
{ Connect the WHITE wire to RETURN.	} SPOT
{ Connect the RED wire to POWER.	

{ Connect the WHITE wire to RETURN.	} FLOOD
{ Connect the BLACK wire to POWER.	



# Install Side Mount Telescopic Pole

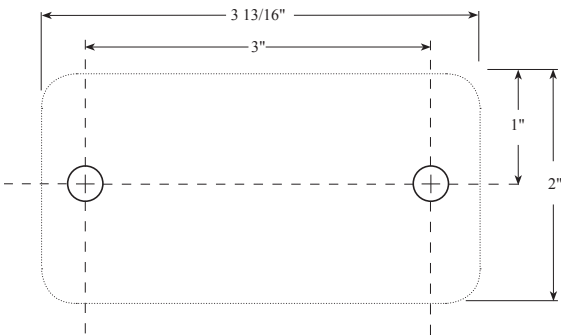
## 530, 540, 542 Side Mount Brackets



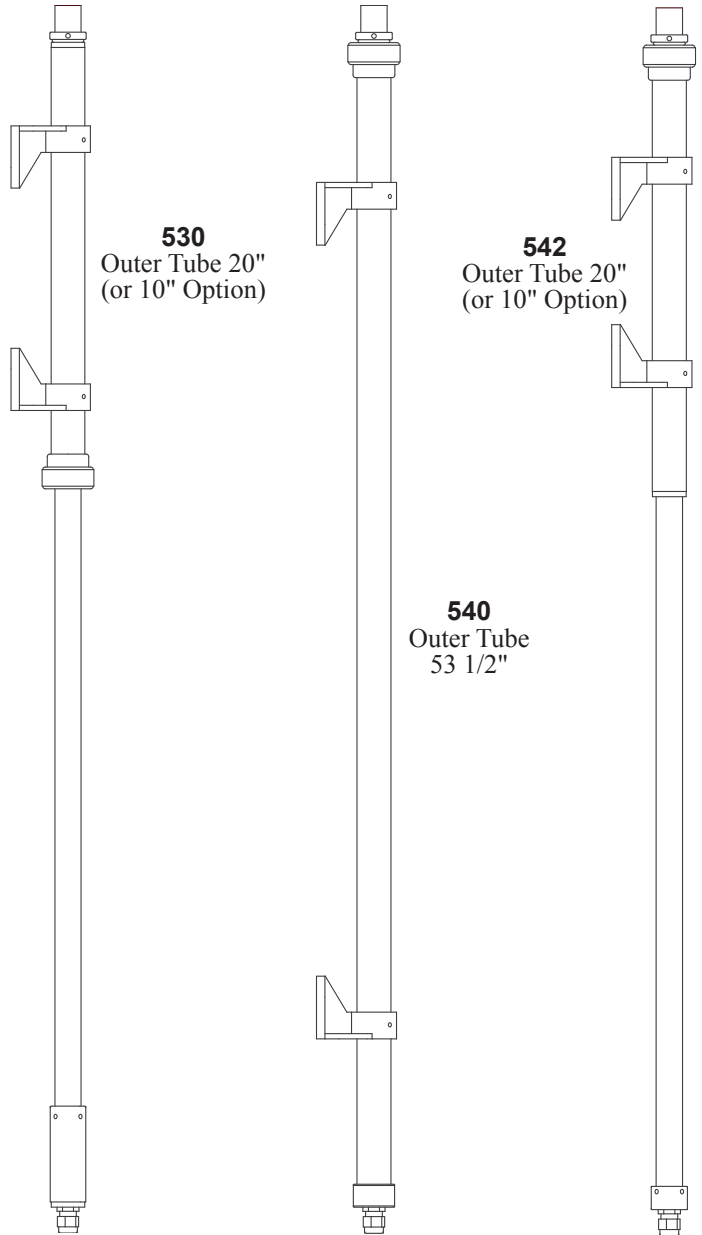
**Side Mount Bracket Footprint**  
The footprint is the same for all side mount and steady rest brackets.

Drawings may not be to scale.  
DO NOT USE AS A TEMPLATE

## 530, 540, 542 Flush Mount Brackets



Standard overall height (top to bottom) for a telescopic pole without a lamphead is 58 inches.



**Hardware Recommendations**  
For 530, 540, 542, 580 mounts:  
5/16-18 SS

**Note:** When positioning a telescopic pole ensure that the lamphead will clear all obstructions and the twist lock will be accessible.