



FIRE RESEARCH CORPORATION
26 Southern Blvd., Nesconset, NY 11767
TEL 631.724.8888 FAX 631.360.9727
TOLL FREE 1.800.645.0074
www.fireresearch.com



SPECTRA MAX-S WIRING, LAMPHEAD INSTALLATION AND MOUNTING BRACKET TEMPLATES

SPECTRA MAX-S

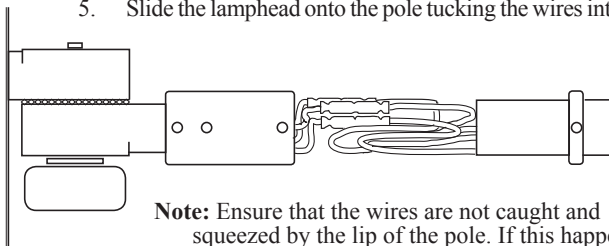
INSTALL LAMPHEAD ON TELESCOPIC POLE

Refer to the General Lighting manual or lamphead and model specific sheets for safety, maintenance, and installation instructions.

Lampheads and telescopic poles are shipped apart and need to be assembled.

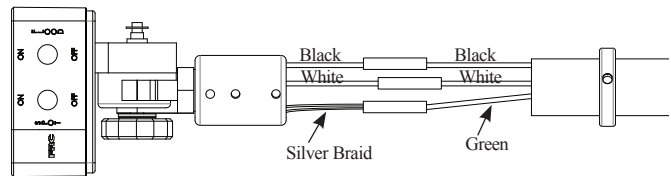
Note: The 512 telescopic pole must be installed before the lamphead is attached if the small diameter hole is used. Refer to template drawing for 512 Thru-The-Roof mount.

1. Place the lamphead and the pole on a flat surface.
2. Connect the lamphead wires to the pole wires.
 - a. Ensure that 3/8 inch of bare conductor shows at the end of each wire.
 - b. Insert the wires in the butt connectors and crimp.
3. Ensure the crimps are tight. (Test by lightly tugging on the wires.)
4. Loop the excess wire in a zig-zag fashion to take up the slack.
5. Slide the lamphead onto the pole tucking the wires into the pole.

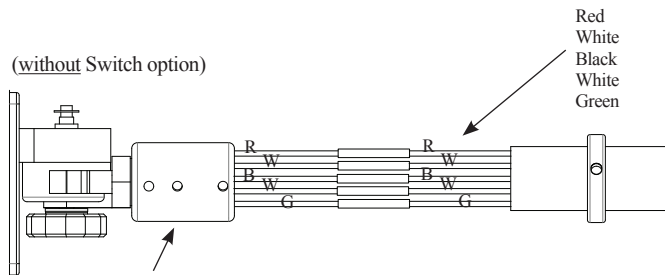


Note: Ensure that the wires are not caught and squeezed by the lip of the pole. If this happens the wire insulation may be cut and short the wire to the pole.

-ON
(with Switch option)

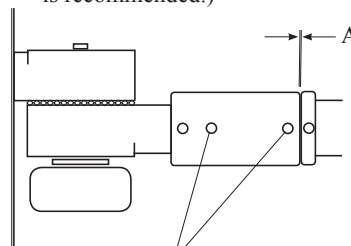


(without Switch option)



DC powered light will only have four wires:
RED + BLACK and ORANGE + BLACK

6. Apply thread lock and tighten the set screws to secure the lamphead on the pole. (A medium strength locking compound like Loctite blue is recommended.)



Apply thread lock and tighten the set screws.

Note: Dimension A should be less than 0.015" (the thickness of a folded piece of paper). If A is larger, a wire is probably caught. Disassemble and check for wire insulation damage. If there is no damage, reassemble.

SPECTRA Max-S

12/24 V DC

- | | |
|-------------------------------------|----------------|
| { Connect the RED wire to POWER. | } SPOT |
| { Connect the BLACK wire to GROUND. | |
| { Connect the ORANGE wire to POWER. | } FLOOD |
| { Connect the BLACK wire to GROUND. | |

120/240 V AC (*without Switch option*)

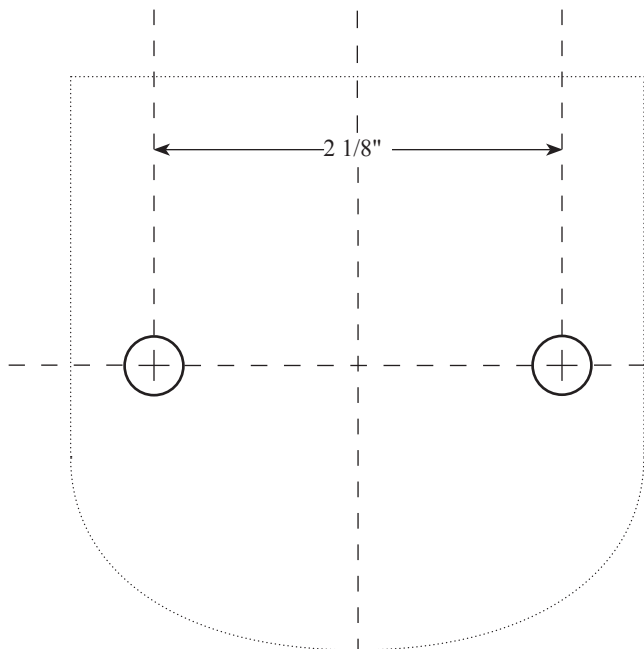
Connect the GREEN wire to chassis GROUND.

- | | |
|-------------------------------------|----------------|
| { Connect the WHITE wire to RETURN. | } SPOT |
| { Connect the RED wire to POWER. | |
| { Connect the WHITE wire to RETURN. | } FLOOD |
| { Connect the BLACK wire to POWER. | |

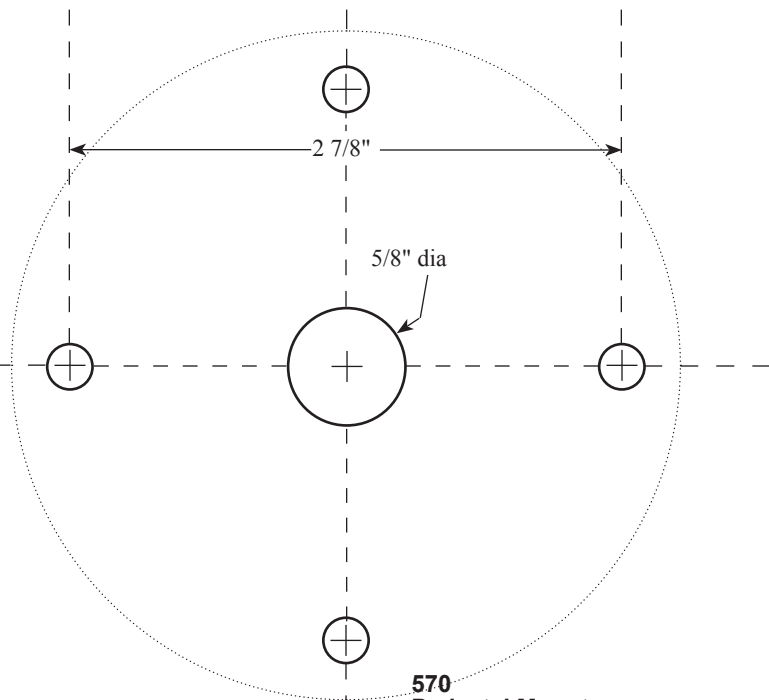
MAINTENANCE

Use a clean soft cloth, mild soap, and water to clean the lens.

NOTE: FRC led lampheads use Lexan lenses and cleaning with abrasive materials, solvents, or most chemical cleaners can cause lens surface degradation and reduced performance of the light. *Some chemicals will cause the lens to become brittle and prone to cracking.*

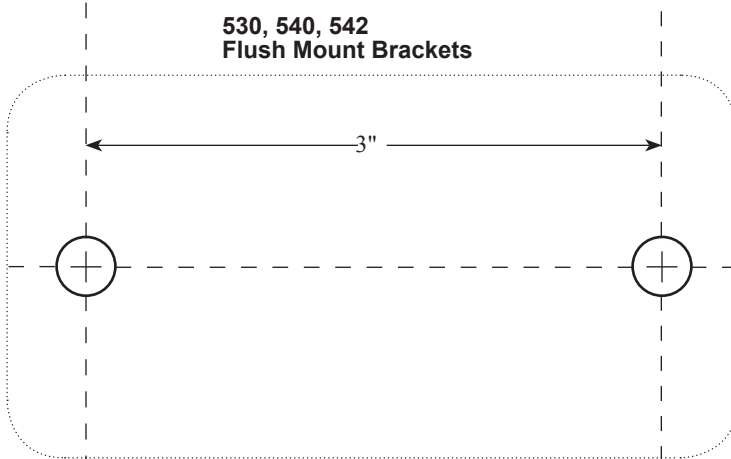


**530, 540, 542, 580
Side Mount Brackets**



**570
Pedestal Mount**

**530, 540, 542
Flush Mount Brackets**

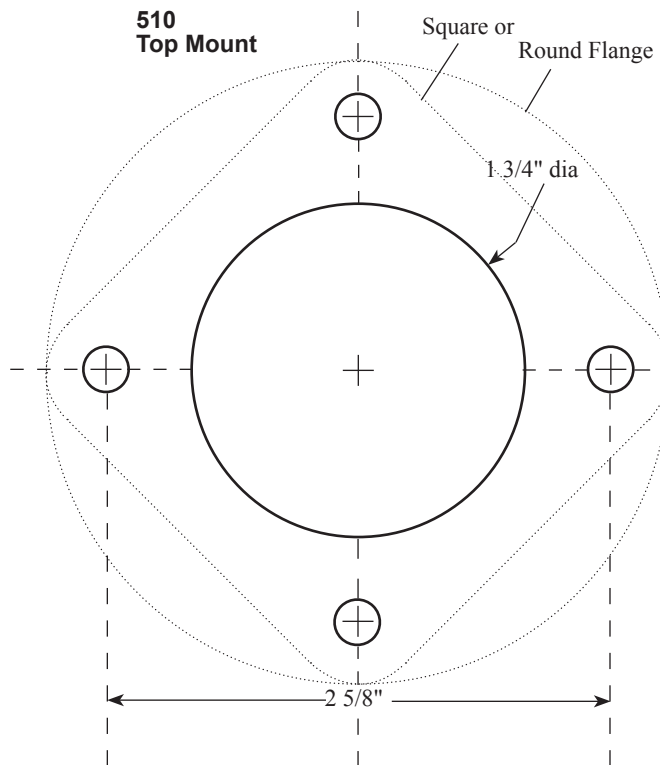


Scale = Full Size
Dimensions are within casting and machine part tolerances.

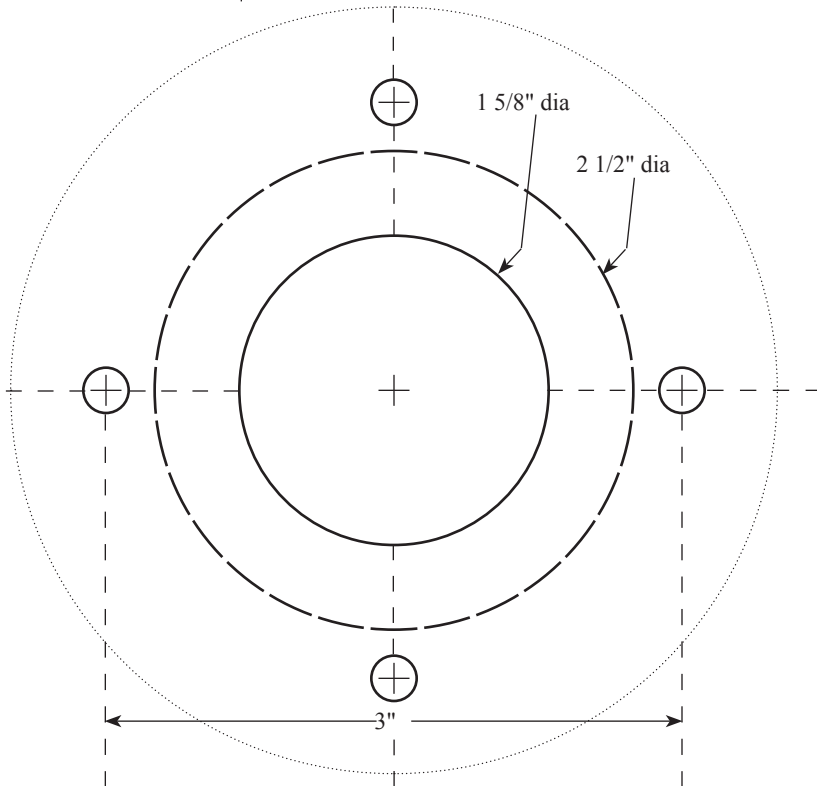
Hardware Recommendations
For 510, 512, 570 mounts: 1/4-20 SS
For 530, 540, 542, 580 mounts: 5/16-18 SS

**512
Thru-The-Roof Mount**

Note: The 512 telescopic pole must be installed before the lamphead is attached if the small diameter hole is used.



**510
Top Mount**



**512
Thru-The-Roof Mount**